

Proximity Card / Mifare Card Readers

JS-500E (Proximity) &

JS-500M (Mifare)

1.Features

Ultra- low power consumption: Standby current less than 30mA

Transmit format : WG26/WG34

Fast Searching speed : Time is less than 0.1S between reading card and opening the door

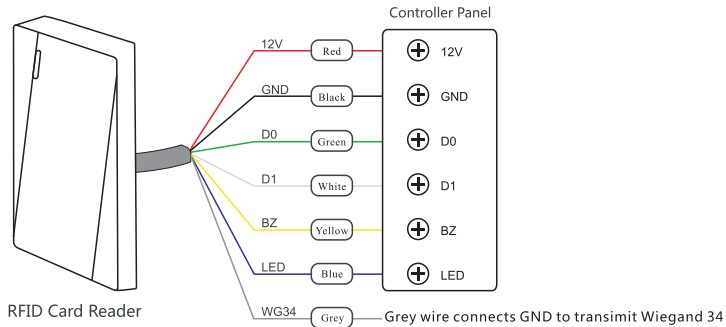
2.Specifications

Card Type: EM/MF/HID	Waterproof Degree: IP68
Operating Voltage: DC9-16V	Standby Current: $\leq 30\text{mA}$
Reading Distance: 2-5cm	Operating Humidity: $-45\sim 60^{\circ}\text{C}$
Operating Humidity: 10%-90%RH	Searching Speed: Less than 0.1S between reading card and opening the door

3.Wiring

Wire No.	Function	Color	Description
1	LED	Blue	Connect controller LED
2	Beeper	Yellow	Connect controller beeper
3	D0	Green	WG output line D0
4	D1	White	WG output line D1
5	+12V	Red	Power supply +12V
6	GND	Black	Power supply -12V
7	WG34	Grey	Grey wire connects GND to transmit Wiegand34 output format

4.Wiring Diagram



★ Warm Tips:

- * Please don't repair device by yourselves. Any issues, please notify supplier
- * Before installation, if you want to punch holes, please carefully check the back line or line pipe to avoid unnecessary trouble such as breaking the back line when drilling. Use safety glasses when drilling or fixing the wire clips
- * If upgraded, please forgive us without notice



#24, Shambavi Building, 23rd Main, Marenahalli, JP Nagar 2nd Phase, Bengaluru - 560078
Phone : 91-8026090500 | Email : sales@esslsecurity.com
www.esslsecurity.com