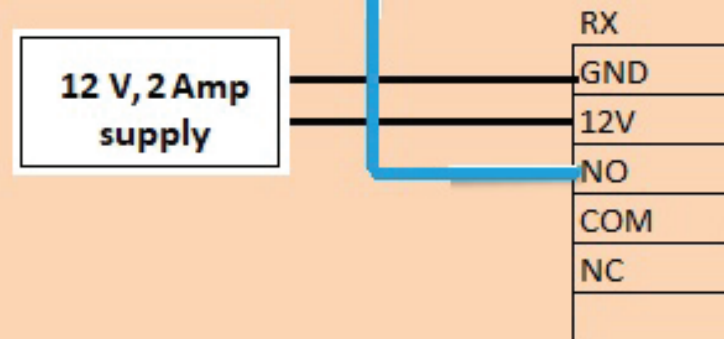
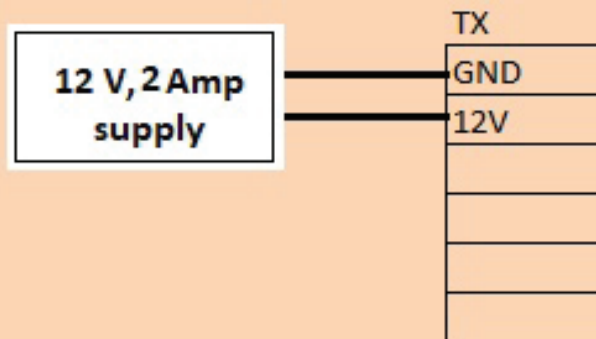
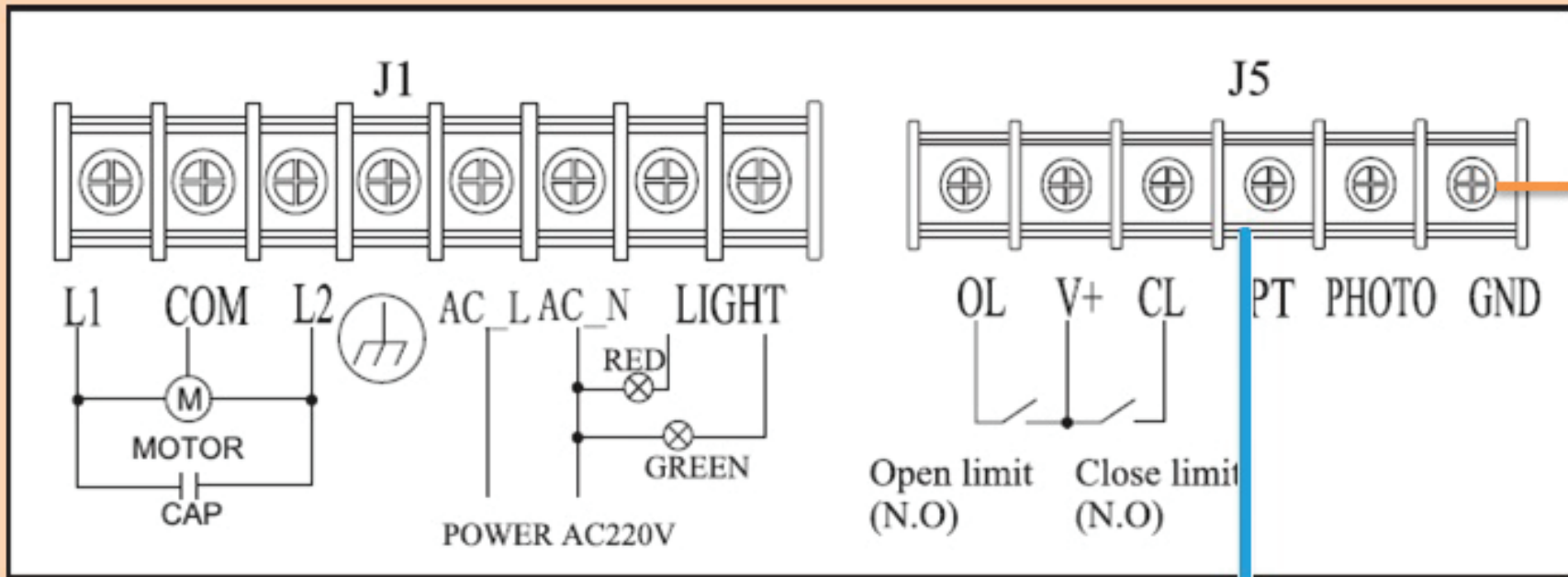




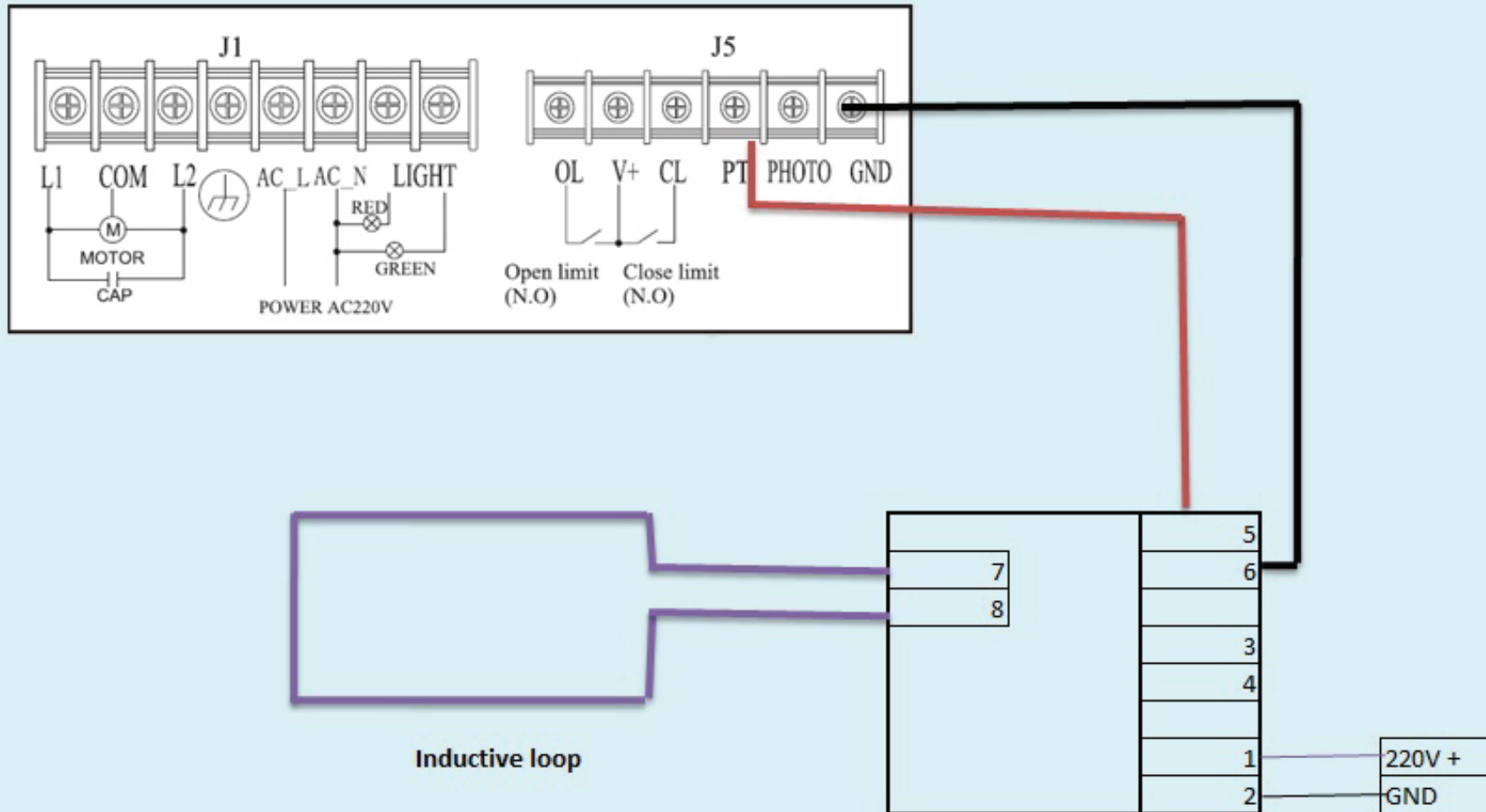
Connection Diagram

Bg-100 & BG-108

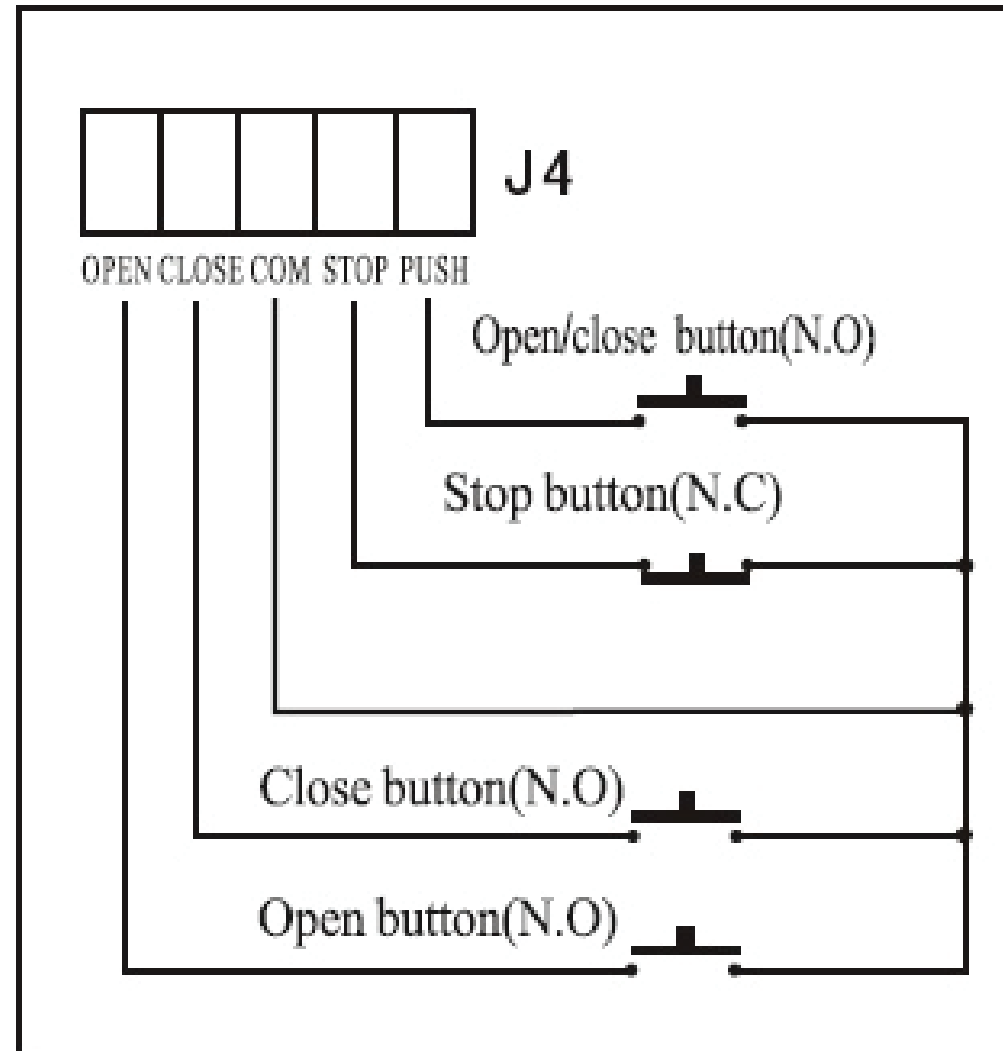
Photel Cell Connection



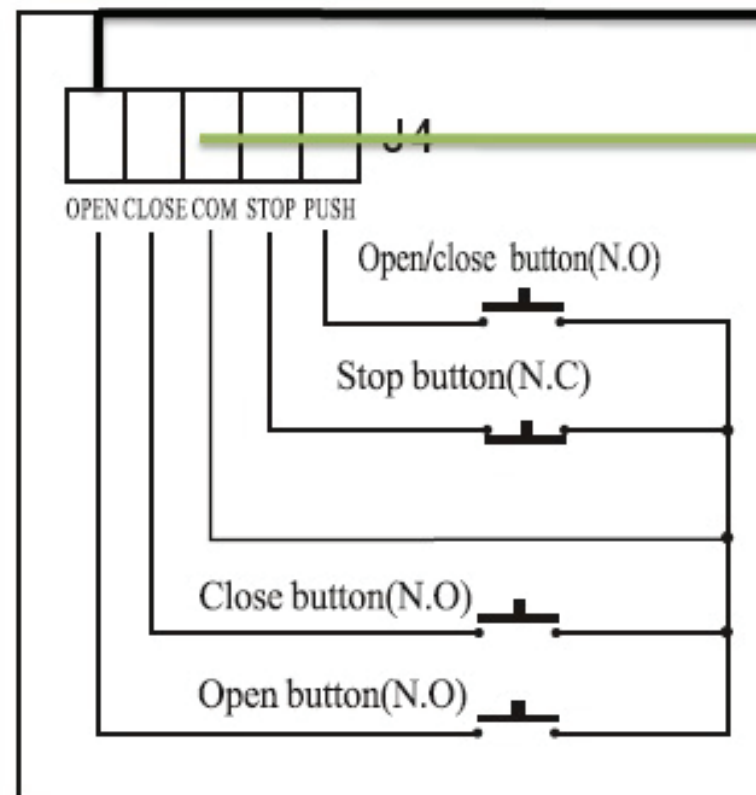
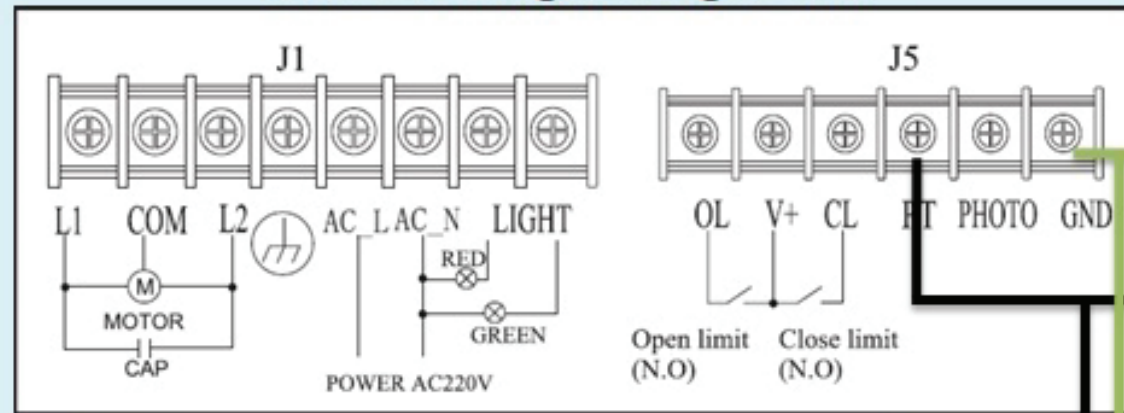
Loop Detector Connection Diagram



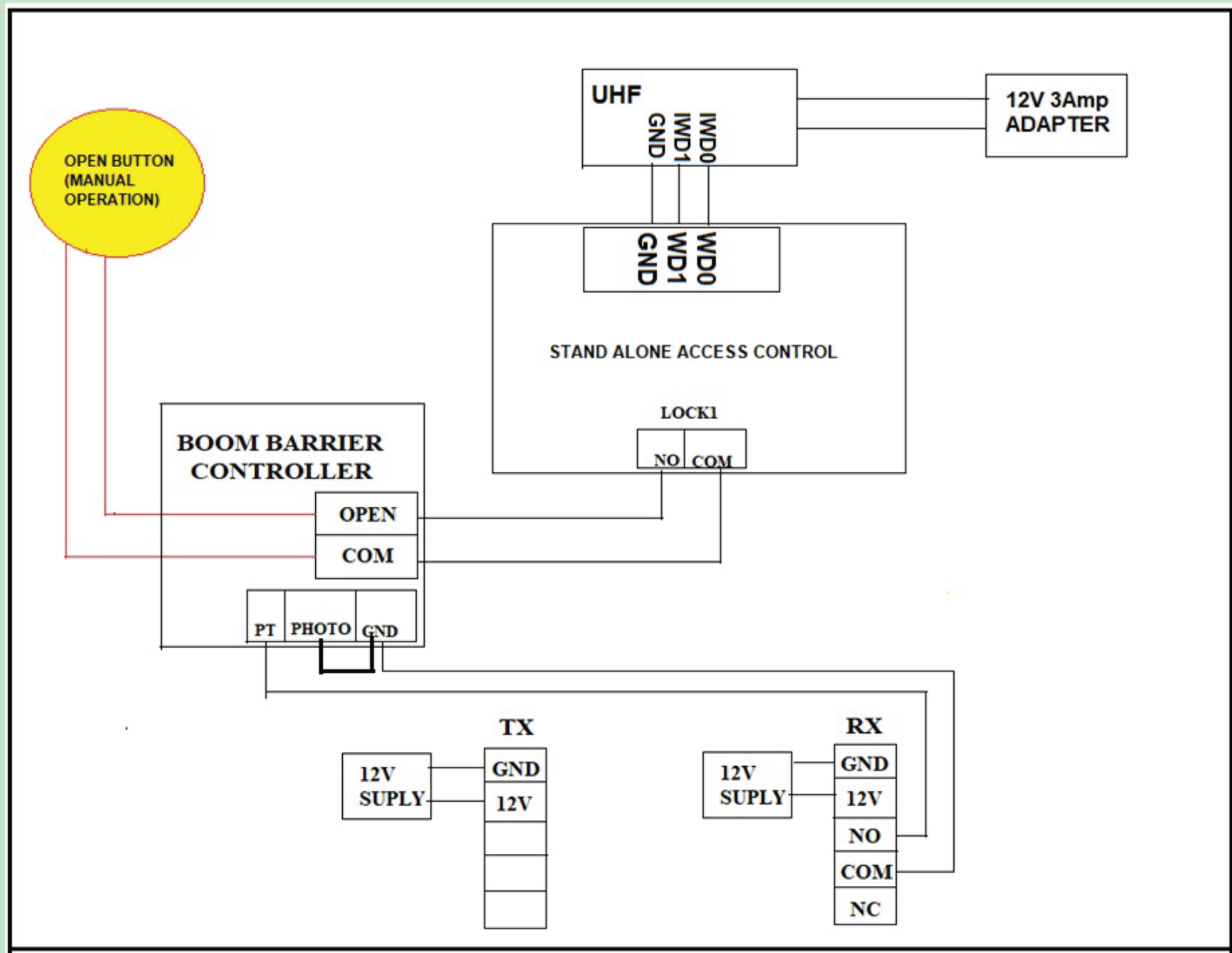
Extension switch



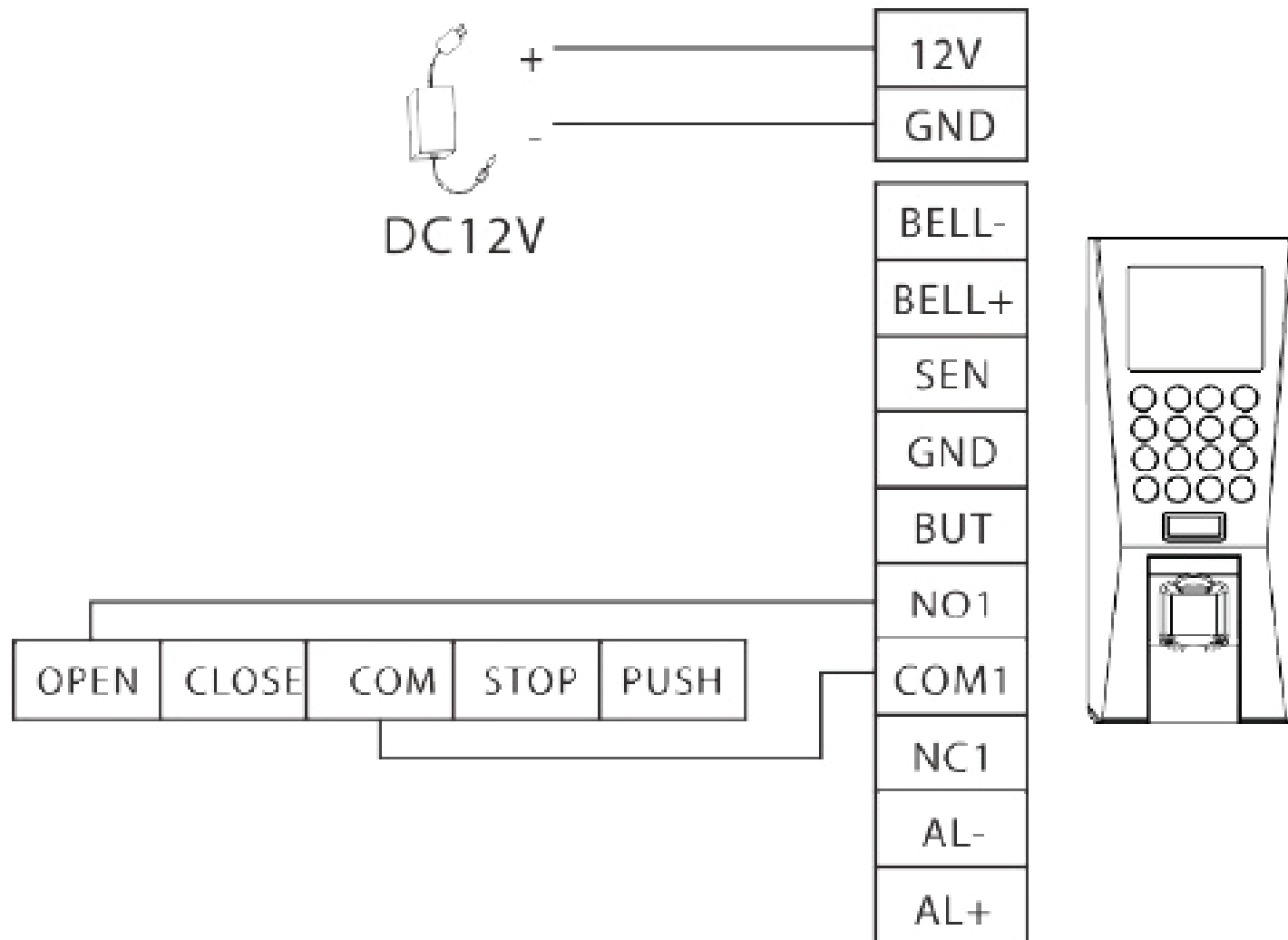
Auto closing through UHF



All In one Connection

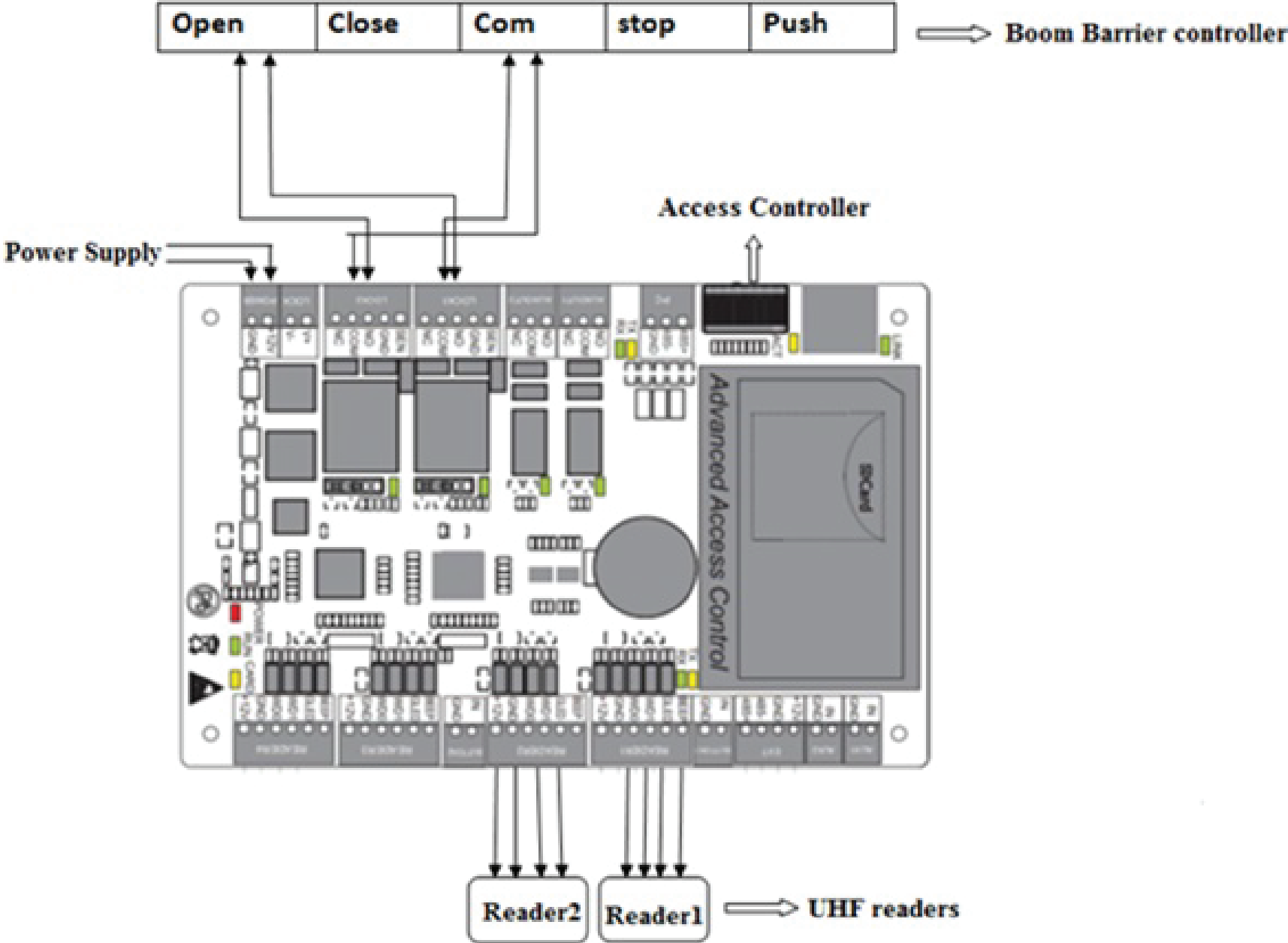


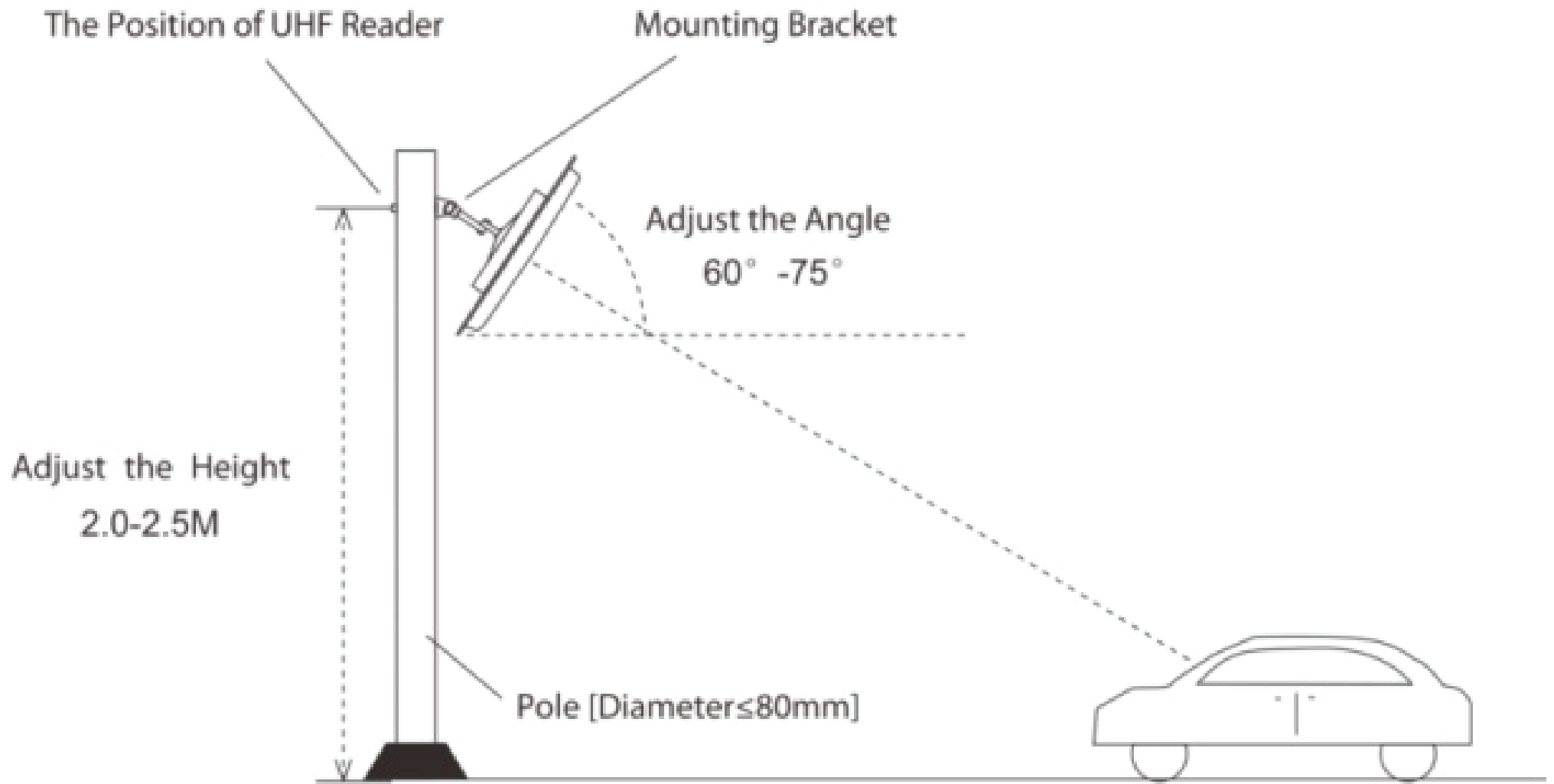
Connect to Standalone Access Control

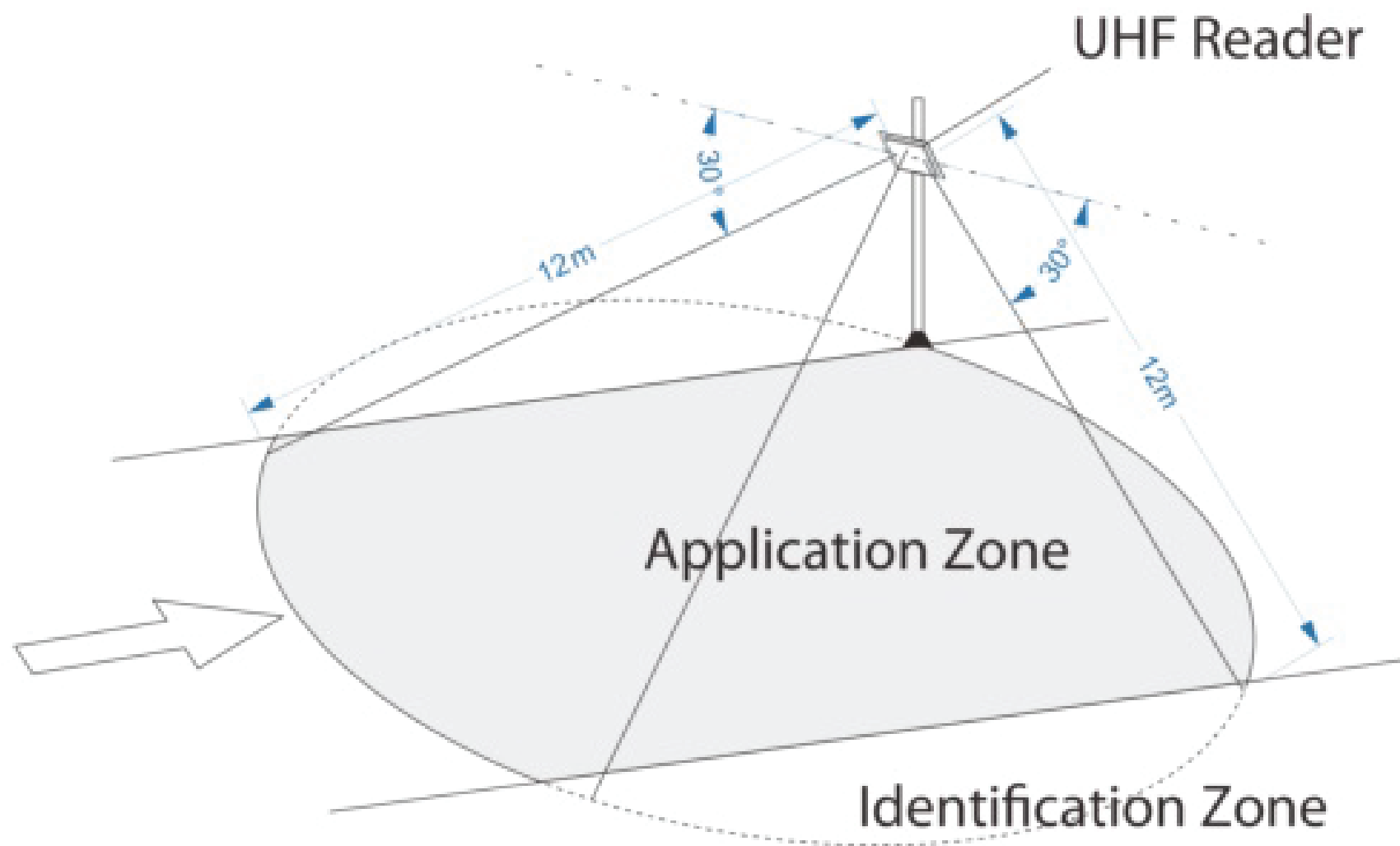


Standalone Access Control

BG-100 with Access Controller & UHF reader









#24, Shambavi Building, 23rd Main, Marenahalli, JP Nagar 2nd Phase, Bengaluru - 560078
Phone : 91-8026090500 | Email : sales@esslsecurity.com
www.esslsecurity.com