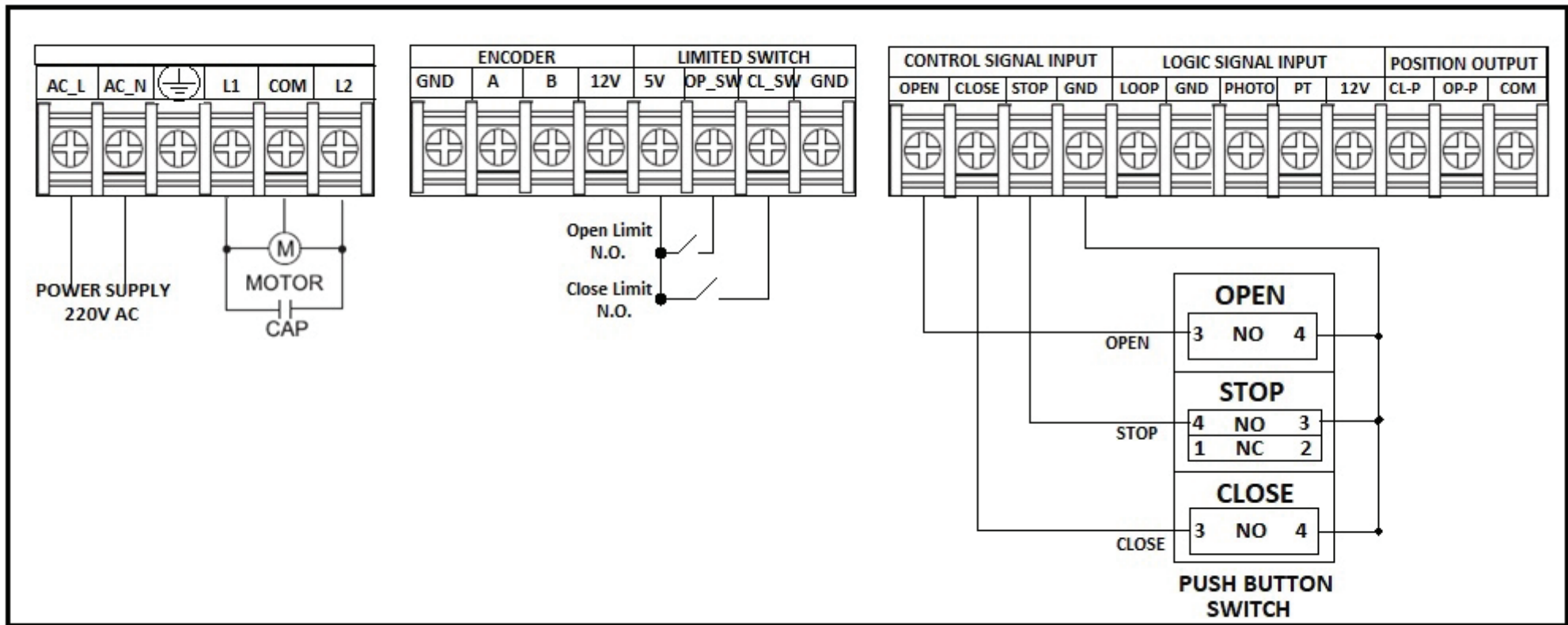


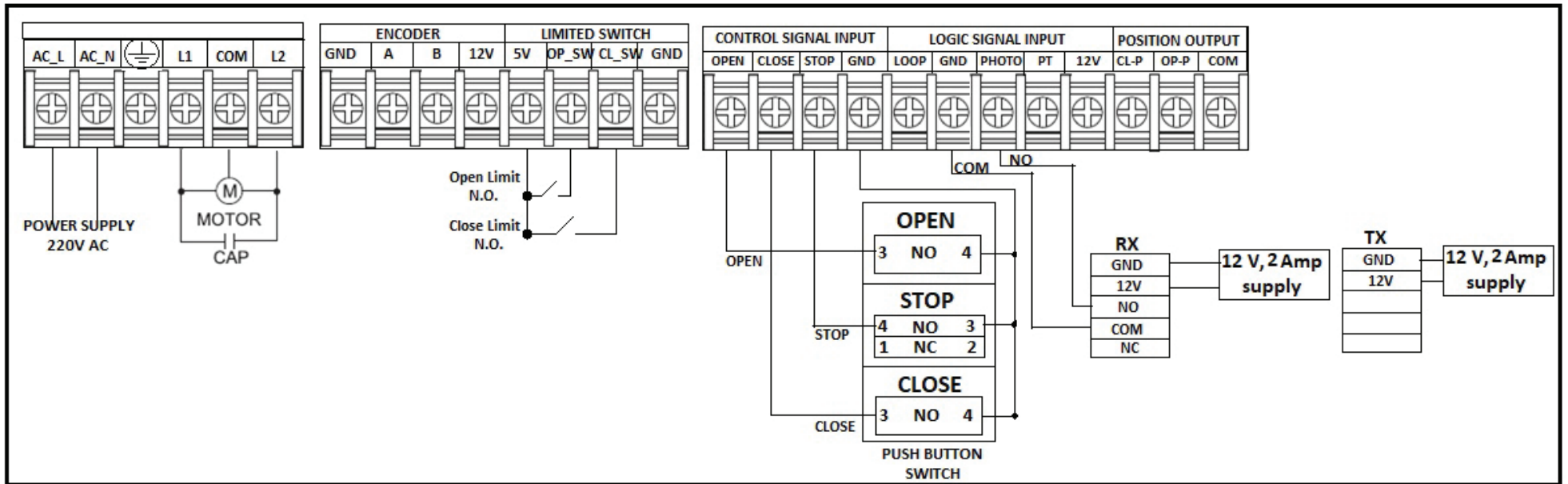
Connection Diagram

BG100-grey & BGL-100

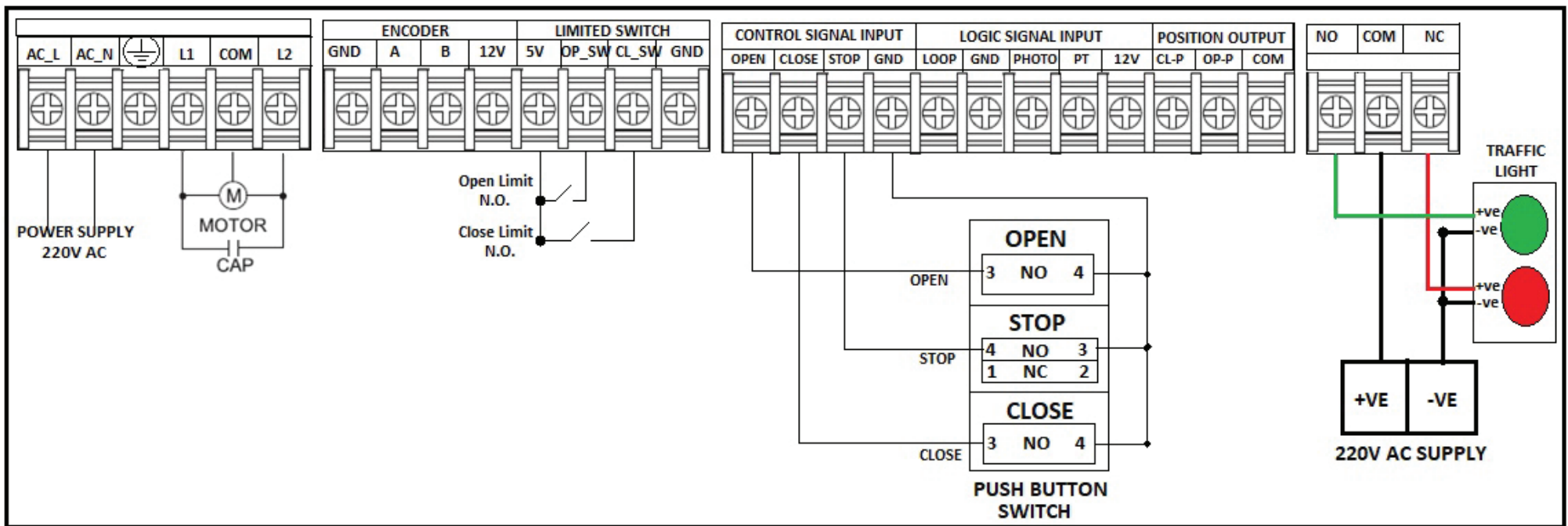
BG100 Grey Digital barrier SW01 Switch Connection



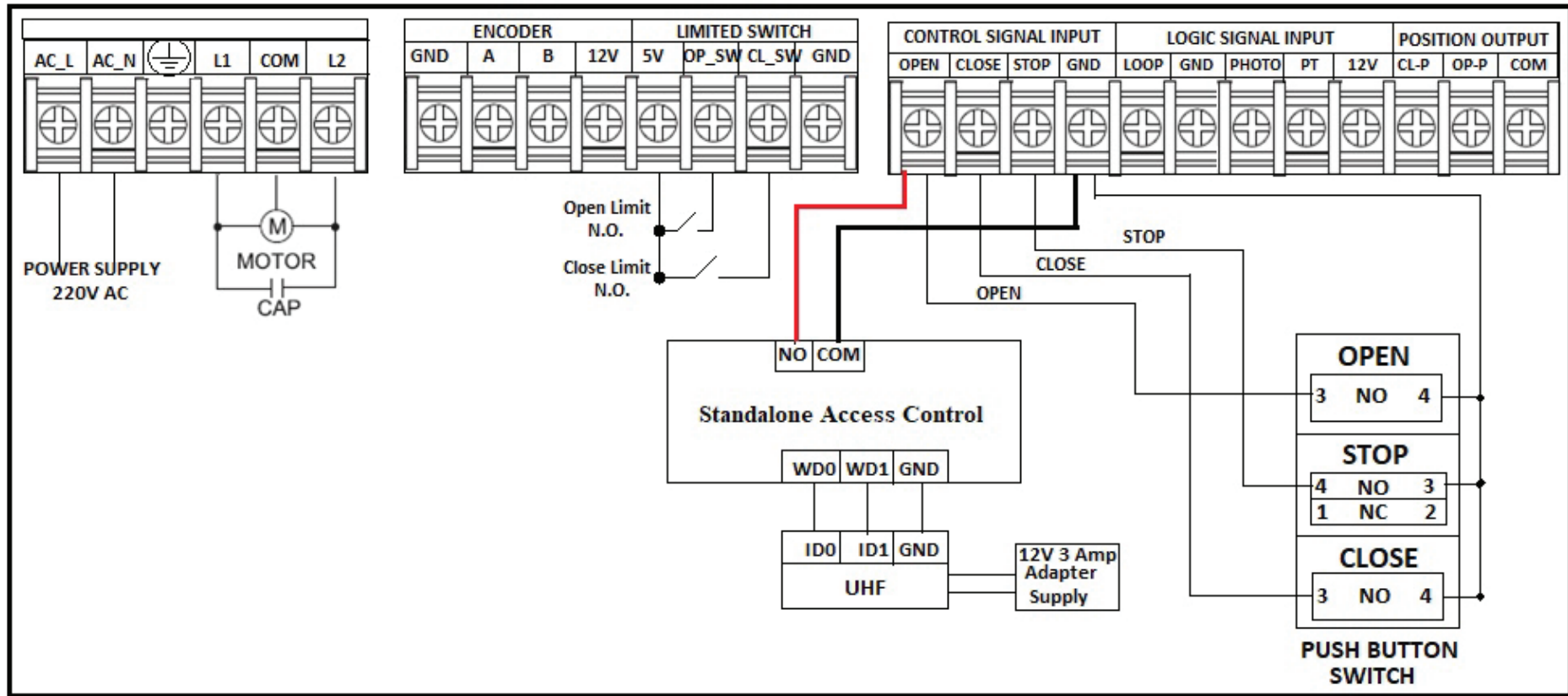
BG100 Grey Digital Controller Photo Cell Connection Diagram



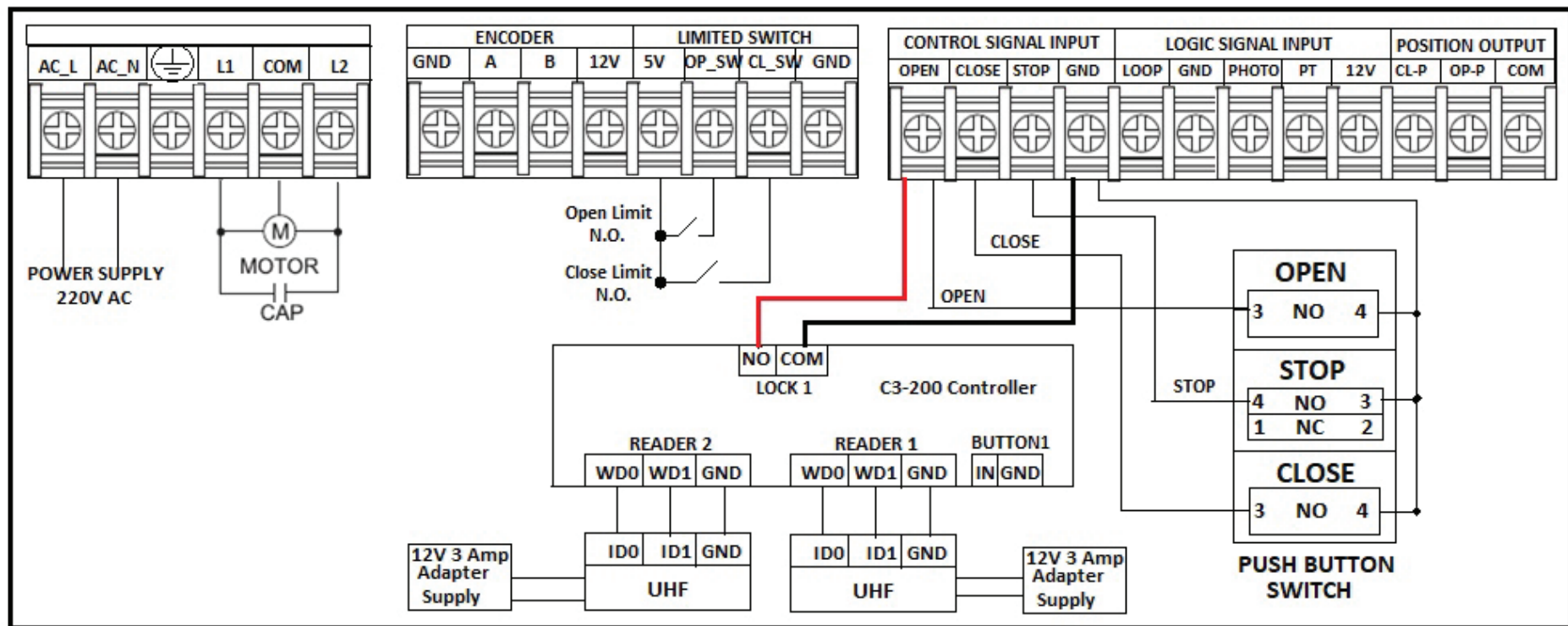
BG100 Grey Digital barrier Traffic light Connection

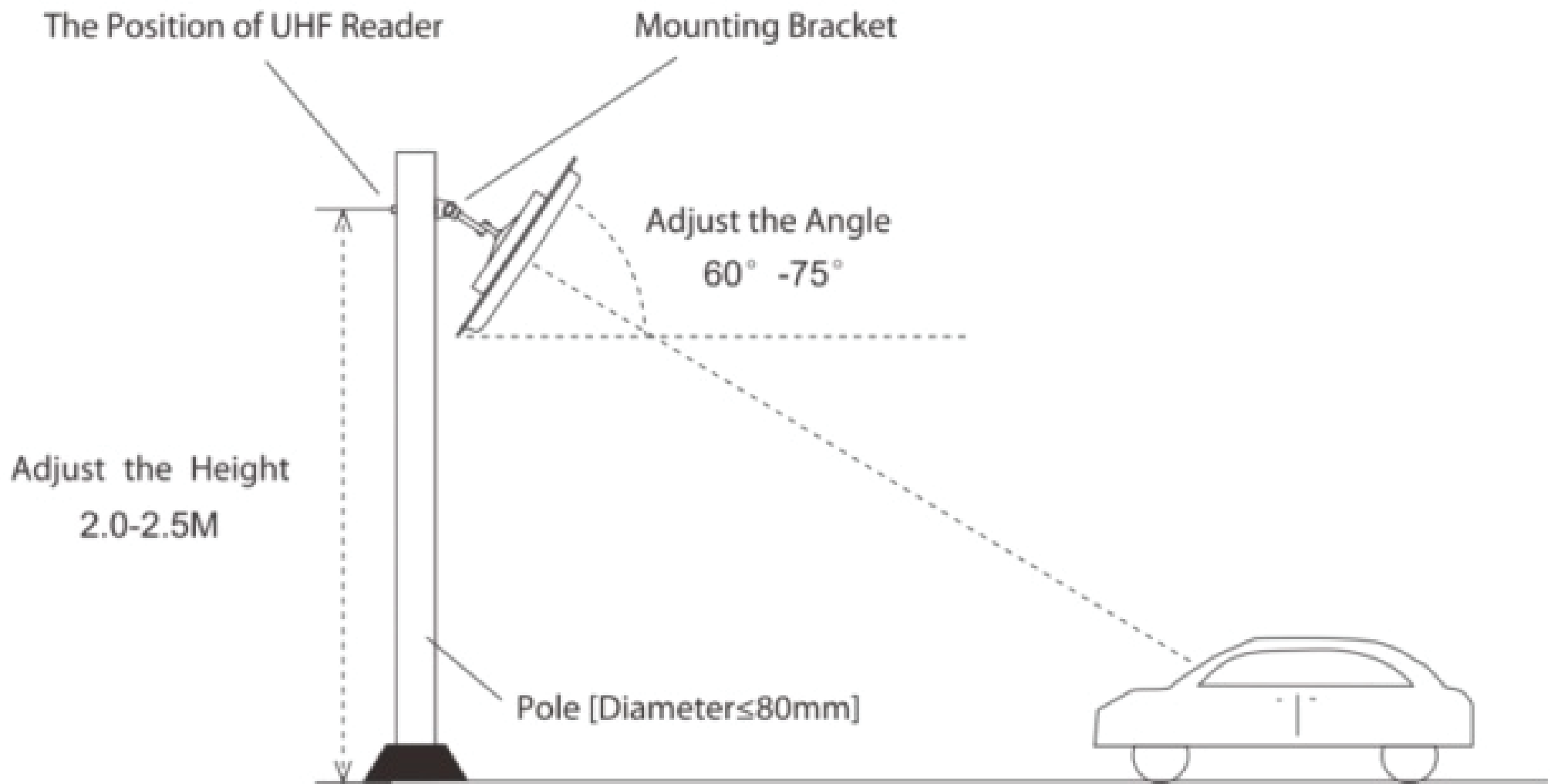


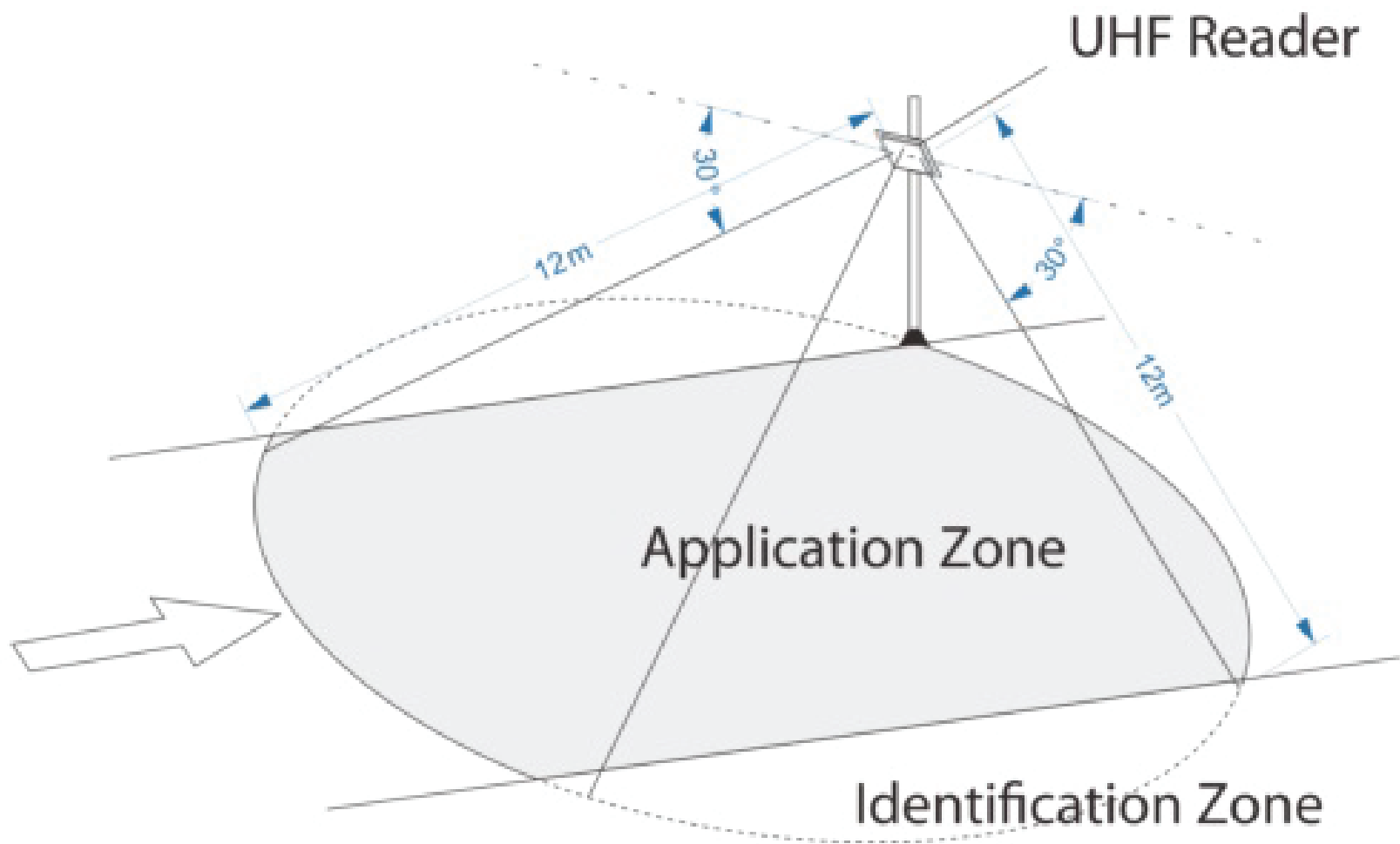
BG100 Grey Digital barrier standalone access controller connection



BG100 Grey Digital barrier Multidoor access controller with UHF reader connection









#24, Shambavi Building, 23rd Main, Marenahalli, JP Nagar 2nd Phase, Bengaluru - 560078
Phone : 91-8026090500 | Email : sales@esslsecurity.com
www.esslsecurity.com